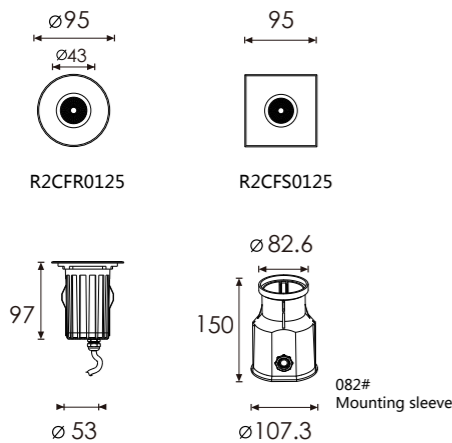


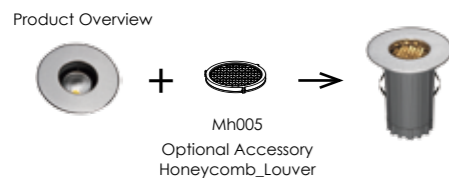
High Luminance Output Inground Light



OUTER DIMENSIONS & ACCESSORIES Unit:mm



OPTIONAL HONEYCOMB LOUVER



LED COLOUR TEMPERATURE

3000K · 6000K

OPTICS



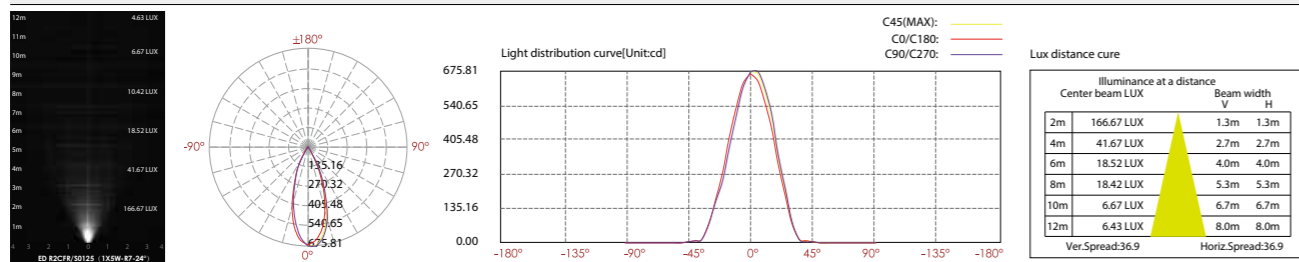
MATERIAL SPECIFICATIONS

- HOUSING** | 12# Die-casting dark grey powder coated aluminum
- FRONT COVER** | T=60-80µm Adhesion of ISO class 1/ATM class 4B
- LIGHT WINDOW** | Hard chrome-plated stainless steel SUS 316L#
- REFLECTOR** | Tempered frosted step glass.T=6mm
- REFLECTOR** | Optical Reflector efficiency≥90%
- LED** | NICHIA COB
- GLASS PRESSURE CAPACITY** | Full Area=1195kgs
- CABLE GLAND** | IP68 PG-9 PA66
- GASKET** | Molding shaped seal
- LED DRIVER** | Constant Voltage Input,Constant Current Output
- OPERATING TEMPERATURE** | -20°C~50°C
- POWER CABLE** | H05RN-F 2X1.0mm2 L=0.5m(low voltage)
H05RN-F 3X1.0mm2 L=0.5m(high voltage)
- MOUNTING SLEEVE** | ABS 082#

TECHNICAL DATA

ITEM	LIGHT SOURCE	REFLECTOR	LENS DEGREE(°)Ø1/2	INPUT VOLTAGE(V)	OPERATING CURRENT(MA)	CONSUMPTION(W)	LUMINANCE(LM)	IK
ED R2CFR0125	1×5W COB	R7	24°	24V DC	24V = 265 120V = 52 240V = 34	24V = 6.3 120V = 6 240V = 6.8	Cool White = 555 Warm White = 441	09
ED R2CFS0125	1×5W COB	R7	24°	24V DC	24V = 265 120V = 52 240V = 34	24V = 6.3 120V = 6 240V = 6.8	Cool White = 555 Warm White = 441	09

PHOTOMETRIC CURVES

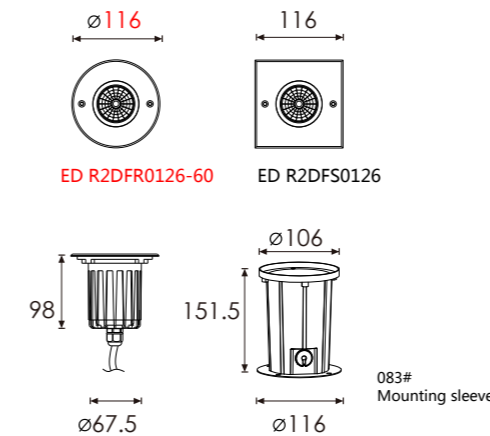


High Luminance Output Inground Light

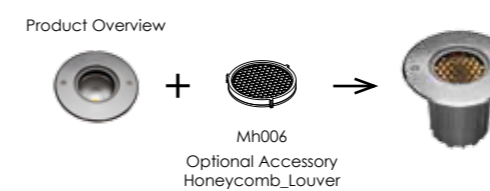
TYPE EX U02



OUTER DIMENSIONS & ACCESSORIES Unit:mm



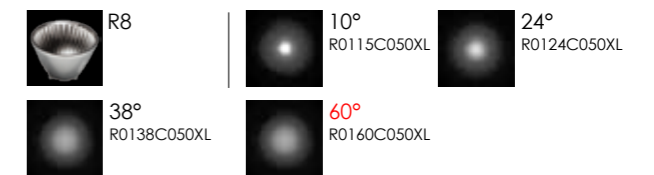
OPTIONAL HONEYCOMB LOUVER



LED COLOUR TEMPERATURE

3000K · 6000K

OPTICS



MATERIAL SPECIFICATIONS

- HOUSING** | 12# Die-casting dark grey powder coated aluminum
- FRONT COVER** | T=60-80µm Adhesion of ISO class 1/ATM class 4B
- LIGHT WINDOW** | Hard chrome-plated stainless steel SUS 316L#
- REFLECTOR** | Tempered frosted step glass.T=8mm
- REFLECTOR** | Optical Reflector efficiency≥90%
- LED** | CITIZEN COB
- GLASS PRESSURE CAPACITY** | Full Area=2526kgs
- CABLE GLAND** | IP68 PG-9 PA66
- GASKET** | Molding shaped seal
- LED DRIVER** | Constant Voltage Input,Constant Current Output
- OPERATING TEMPERATURE** | -20°C~50°C
- POWER CABLE** | H07RN-F 2X1.0mm2 L=0.5m(low voltage)
H07RN-F 3X1.0mm2 L=0.5m(high voltage)
- MOUNTING SLEEVE** | ABS 067#
- K/ CCT/ CRI** | 07/ 3000K/ 80
- LIFE SPAN** | 50000 Hrs

TECHNICAL DATA

ITEM	LIGHT SOURCE	REFLECTOR	LENS DEGREE(°)Ø1/2	INPUT VOLTAGE(V)	OPERATING CURRENT(MA)	CONSUMPTION(W)	LUMINANCE(LM)	IK
ED R2DFR0126	1×7W COB	R8	60°	24V DC	24V = 324 120V = 72 240V = 40	24V = 7.7 120V = 8.5 240V = 8.5	Cool White = 921 Warm White = 744	09
ED R2DFS0126	1×7W COB	R8	60°	24V DC	24V = 324 120V = 72 240V = 40	24V = 7.7 120V = 8.5 240V = 8.5	Cool White = 921 Warm White = 744	09

PHOTOMETRIC CURVES

