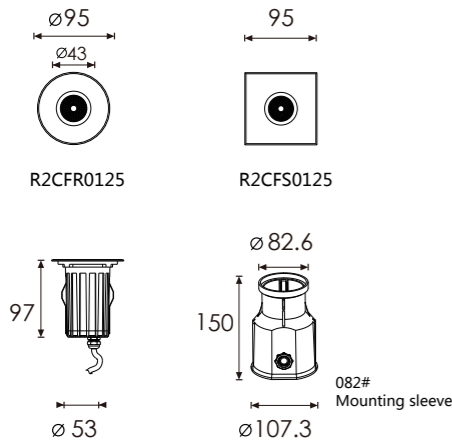


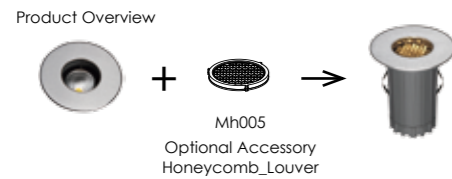
# High Luminance Output Inground Light



**OUTER DIMENSIONS & ACCESSORIES** Unit:mm



**OPTIONAL HONEYCOMB LOUVER**



**LED COLOUR TEMPERATURE**

3000K · 6000K

**OPTICS**



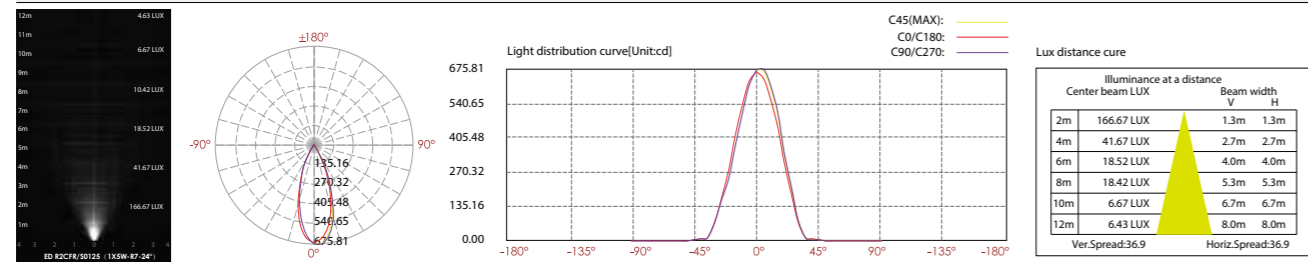
**MATERIAL SPECIFICATIONS**

- HOUSING** | 12# Die-casting dark grey powder coated aluminum  
T=60-80µm Adhesion of ISO class 1/ATM class 4B
- FRONT COVER** | Hard chrome-plated stainless steel SUS 316L#
- LIGHT WINDOW** | Tempered frosted step glass.T=6mm
- REFLECTOR** | Optical Reflector efficiency≥90%
- LED** | NICHIA COB
- GLASS PRESSURE CAPACITY** | Full Area=1195kgs
- CABLE GLAND** | IP68 PG-9 PA66
- GASKET** | Molding shaped seal
- LED DRIVER** | Constant Voltage Input,Constant Current Output
- OPERATING TEMPERATURE** | -20°C~50°C
- POWER CABLE** | H05RN-F 2X1.0mm2 L=0.5m(low voltage)  
H05RN-F 3X1.0mm2 L=0.5m(high voltage)
- MOUNTING SLEEVE** | ABS 082#

**TECHNICAL DATA**

| ITEM                         | LIGHT SOURCE | REFLECTOR | LENS DEGREE(°)Ø1/2 | INPUT VOLTAGE(V)   | OPERATING CURRENT(MA)               | CONSUMPTION(W)                      | LUMINANCE(LM)                        | IK |
|------------------------------|--------------|-----------|--------------------|--------------------|-------------------------------------|-------------------------------------|--------------------------------------|----|
| ED R2CFR0125<br>ED R2CFS0125 | 1×5W COB     | R7        | 24°                | 24V DC<br>120V/240 | 24V = 265<br>120V = 52<br>240V = 34 | 24V = 6.3<br>120V = 6<br>240V = 6.8 | Cool White = 555<br>Warm White = 441 | 09 |

**PHOTOMETRIC CURVES**

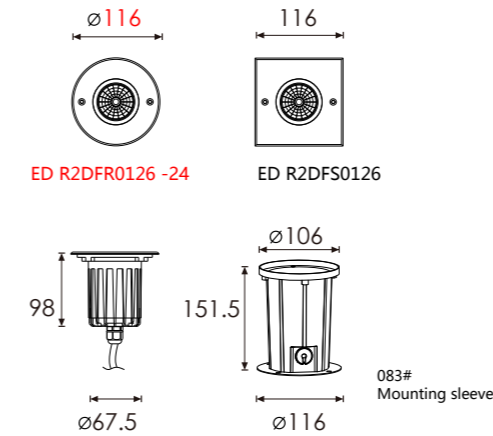


TYPE EX U01

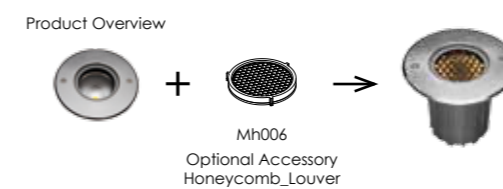
# High Luminance Output Inground Light



**OUTER DIMENSIONS & ACCESSORIES** Unit:mm



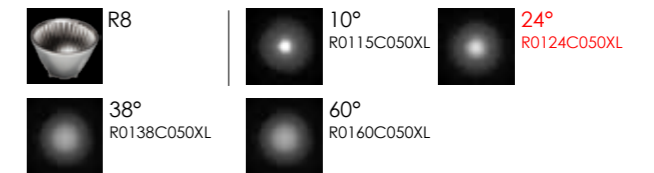
**OPTIONAL HONEYCOMB LOUVER**



**LED COLOUR TEMPERATURE**

3000K · 6000K

**OPTICS**



**MATERIAL SPECIFICATIONS**

- HOUSING** | 12# Die-casting dark grey powder coated aluminum T=60-80µm Adhesion of ISO class 1/ATM class 4B
- FRONT COVER** | Hard chrome-plated stainless steel SUS 316L#
- LIGHT WINDOW** | Tempered frosted step glass.T=8mm
- REFLECTOR** | Optical Reflector efficiency≥90%
- LED** | CITIZEN COB
- GLASS PRESSURE CAPACITY** | Full Area=2526kgs
- CABLE GLAND** | IP68 PG-9 PA66
- GASKET** | Molding shaped seal
- LED DRIVER** | Constant Voltage Input,Constant Current Output
- OPERATING TEMPERATURE** | -20°C~50°C
- POWER CABLE** | H07RN-F 2X1.0mm2 L=0.5m(low voltage)  
H07RN-F 3X1.0mm2 L=0.5m(high voltage)
- MOUNTING SLEEVE** | ABS 067#
- IK/ CCT/ CRI** | 07/ 3000K/ 80 i

**TECHNICAL DATA**

| ITEM                         | LIGHT SOURCE | REFLECTOR | LENS DEGREE(°)Ø1/2 | INPUT VOLTAGE(V)   | OPERATING CURRENT(MA)               | CONSUMPTION(W)                        | LUMINANCE(LM)                        | IK |
|------------------------------|--------------|-----------|--------------------|--------------------|-------------------------------------|---------------------------------------|--------------------------------------|----|
| ED R2DFR0126<br>ED R2DFS0126 | 1×7W COB     | R8        | 24°                | 24V DC<br>120V/240 | 24V = 324<br>120V = 72<br>240V = 40 | 24V = 7.7<br>120V = 8.5<br>240V = 8.5 | Cool White = 921<br>Warm White = 744 | 09 |

**PHOTOMETRIC CURVES**

